





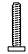






# 700 Series 3

**Welcome and thank you for choosing Bowers & Wilkins.**

Our founder, John Bowers, believed that imaginative design, innovative engineering and advanced technology were keys that could unlock the enjoyment of audio in the home. His belief is one that we continue to share and inspires every product we design.

This is a high performance product that rewards thoughtful installation, so we suggest that you take some time to read this manual before you begin. **Continue on page 3 →**

	Grille	Foam Plug	Rubber Foot (self-adhesive)	Rubber Foot (screw-on)	Spike Foot	Plinth	Allen Key	35mm Screw	Plain Washer	Shakeproof Washer	Tommy Bar	Spanner
												
<b>702 S3</b>	1			4	4	1	1	4	4	4	1	1
<b>703 S3</b> <b>704 S3</b>	1	1		4	4	1	1	4	4	4		
<b>705 S3</b> <b>706 S3</b> <b>707 S3</b>	2	2	8									
<b>HTM71 S3</b> <b>HTM72 S3</b>	1	1	4									

### Carton Contents

The table above illustrates the component parts that are packed with the product. In the unlikely event that anything is missing please contact the retailer from whom you purchased the speakers.

The tweeter assembly on 702 S3, 703 S3, 705 S3 and HTM71 S3 loudspeakers is a decoupled component that is mechanically isolated from the main part of the cabinet. As such, it may appear to be loose when the product is first removed from its packaging. This is not a fault: it is an inherent feature of the design and ensures optimum performance from your speaker.

### Environmental Information

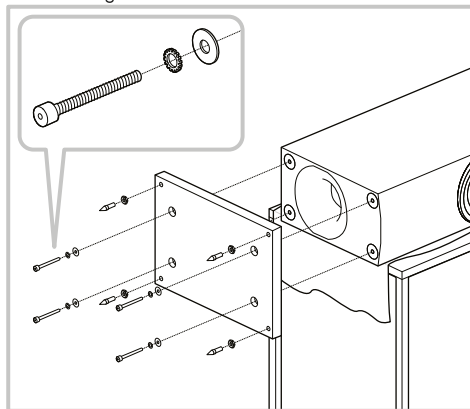
This product complies with international directives, including but not limited to:

- i. the **R**estriction of **H**azardous **S**ubstances (RoHS) in electrical and electronic equipment,
- ii. the **R**egistration, **E**valuation, **A**uthorisation and restriction of **C**hemicals (REACH)
- iii. the disposal of **W**aste **E**lectrical and **E**lectronic **E**quipment (WEEE).

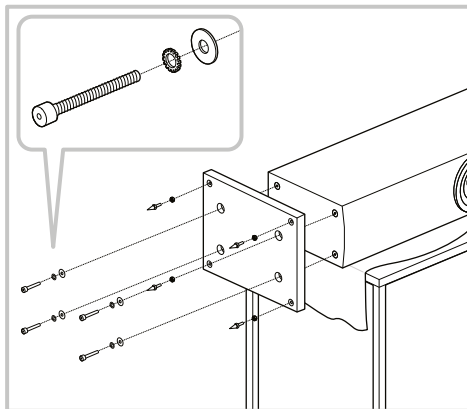
Consult your local waste disposal authority for guidance on how properly to recycle or dispose of this product.

## 2. Positioning

702 S3



703 S3 / 704 S3

**Speaker Installation****702 S3 / 703 S3 / 704 S3**

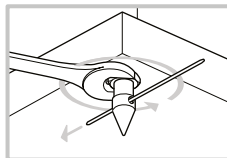
702 S3, 703 S3 and 704 S3 are intended to be floor mounted only. For proper stability, always install the provided plinth, then ensure that the speakers stand firmly on the floor using the spike or rubber feet supplied.

You may attach the plinth during the unpacking process, following the illustrations above or the diagrams on the top flap of the carton.

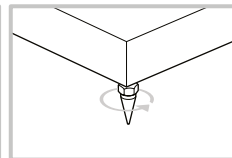
**Warning**

The plinth **MUST** always be used, with the rubber or spike feet inserted into the plinth. **DO NOT** insert rubber or spike feet directly into the cabinet.

702 S3

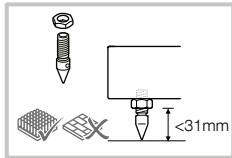


703 S3 / 704 S3

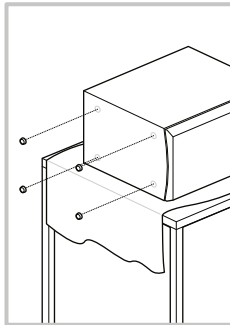
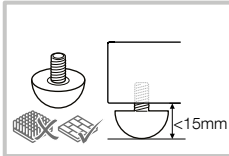
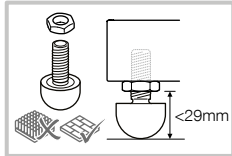
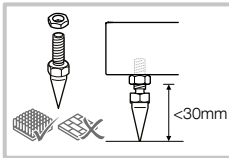


*Note: Rubber feet installation is nearly identical to spike feet installation. The tommy bar and spanner are only included and used with the 702 S3 model during spike / rubber feet installation.*

702 S3



703 S3 / 704 S3

**Important Safety Notice**

Sharp spikes, do not touch.

The spike feet are designed to pierce carpet and rest on the floor surface. Initially, screw the lock nuts onto the spikes just far enough to leave the nuts floating just above the carpet when the spikes are resting on the floor beneath. Then, screw the spikes fully into the threaded inserts in the plinth. If the cabinet rocks when placed on the floor, unscrew the two spikes that do not touch the floor until the cabinet rests firmly without rocking. Finally, lock the nuts against the base by using the supplied spanner to gently tighten the nut whilst using the supplied tommy bar to stop the spike foot rotating. It may be more convenient to fit and adjust the spike feet after speaker positioning has been optimised.

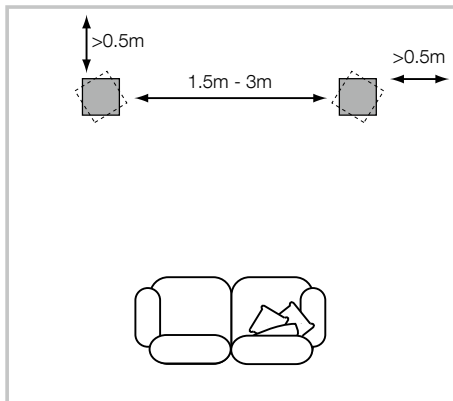
If there is no carpet and you wish to avoid scratching the floor surface, use either a protective metal disc (a coin perhaps) between the spike and the floor, or use the supplied rubber feet. Fit the rubber feet and level the cabinet in the same manner as with the spike feet.

**705 S3 / 706 S3 / 707 S3**

The 705 S3, 706 S3 and 707 S3 are primarily designed to be mounted on a dedicated floor stand (FS-700 S3), but may be placed on a shelf if preferred. However, it should be noted that this offers less flexibility to optimise the speaker's performance. If shelf placement must be used, we recommend using the foam plugs (supplied) to optimise port performance (see Section 4: Fine-Tuning).

In both installation cases, the speakers' tweeters should be approximately at ear height at your usual listening position.

*Note: If using a shelf, ensure that it is strong enough to properly support the weight and fit the four self-adhesive rubber feet to the underside of the speaker.*



### HTM71 S3 / HTM72 S3

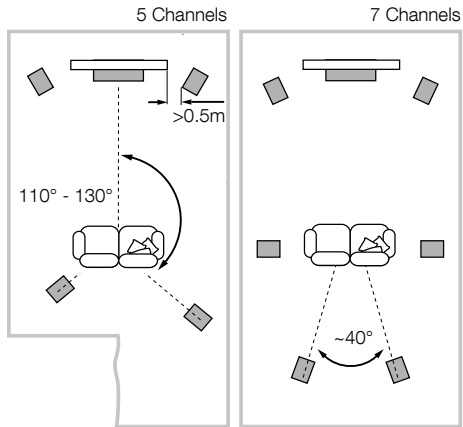
If using a projection television with an acoustically transparent screen, position the speaker behind the centre of the screen. Otherwise, position it either directly below or above the screen using either a floor stand, furniture unit or wall shelf, ensuring the speaker is as close to ear height as possible. If the speaker is to be placed either on a shelf or in a rack shared with other AV equipment, fix the four self-adhesive rubber feet to the base of the speaker. They provide a degree of vibration isolation.

### Speaker Positioning

In either stereo or home theatre installations, try to ensure that the immediate surroundings of each speaker are similar in acoustic character. For example, if one speaker is adjacent to bare walls while the other is adjacent to soft furnishings and curtains, both the overall sound quality and the stereo image are likely to be compromised.

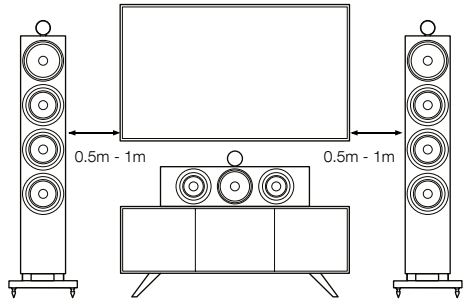
### Conventional Stereo Systems

To begin with, the speakers should be positioned between 1.5m and 3m apart at two corners of an equilateral triangle completed by the listening area at the third corner. The speakers should be placed at least 0.5m away from the back and any side walls (as per the illustration above).



### Home Theatre Systems

If the speakers are to be used for the front channels in a home theatre system, they should be placed closer together than for 2-channel audio, because the surround channels tend to widen the image. Positioning the speakers within approximately 0.5m of the sides of the screen will also help keep the sound image in scale with the visual image. As with conventional stereo positioning, the speakers should ideally be at least 0.5m away from any side walls.

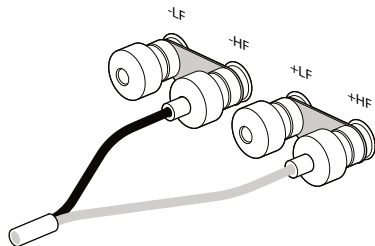


### Stray Magnetic Fields

The speaker drive units create stray magnetic fields that extend beyond the boundaries of the cabinet. We recommend you keep magnetically sensitive articles (CRT television and computer screens, computer discs, audio and video tapes, swipe cards and the like) at least 0.5m from the speaker. LCD, OLED and plasma screens are not affected by magnetic fields.

## 3. Connections

Conventional Connection

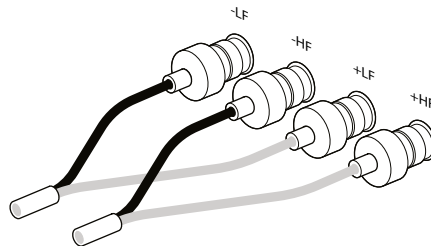
**Important Safety Notice**

All connections should be made with the audio equipment switched off. When using audio equipment in normal operation, touching uninsulated speaker terminals or wiring may result in an unpleasant sensation. The 700 S3 speaker terminals accept a variety of cable terminations: 4mm banana plugs, 6mm and 8mm (1/4 in and 5/16 in) spades, or bare wires up to 4mm (5/32 in) diameter.

**Important Safety Notice**

In certain countries, notably those in Europe, the use of 4mm banana plugs is considered a potential safety hazard, because they may be inserted into the holes of unshuttered mains supply sockets. In order to comply with European CENELEC safety regulations, the 4mm holes in the ends of the terminals are blocked by plastic pins. If you are using the products in any country where these conditions apply, you should ensure that any banana plugs cannot be used in an unsafe manner by children or other uninformed persons. The plastic pins can be removed if you wish to use banana plugs.

Bi-Wired Connection



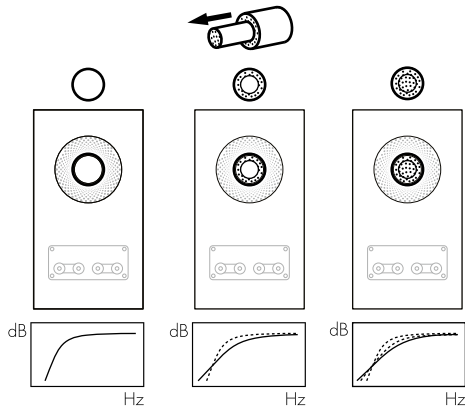
Ask your dealer for advice when selecting speaker cable. Keep its total impedance below the maximum recommended in the speaker specification and use a low inductance cable to avoid attenuation of high frequencies.

There are two linked pairs of terminals on the back of the speaker. For conventional connection (above left), the terminal links should remain in place (as delivered) and just one pair of terminals connected to the amplifier. For bi-wire connections or bi-amplification (above right), the terminal links should be removed and each pair of terminals connected to the amplifier or amplifiers independently. Bi-wiring can improve the resolution of low-level detail.

Ensure that the positive terminals on the speaker (with red ring) are connected to the positive output terminal on the amplifier and the negative terminals on the speaker (with black ring) are always connected to the negative output terminal on the amplifier. Incorrect connection will not result in damage but will cause poor stereo imaging and loss of bass. Always screw the terminal caps down fully to prevent rattles.



## 4. Fine-Tuning



Before fine-tuning, make sure that all the connections in the installation are correct and secure.

Moving the speakers further from the walls will generally reduce the volume of bass. Space behind the speakers will also help to create an aural impression of depth. Conversely, moving the speakers closer to the walls will increase the volume of bass. If you want to reduce the volume of bass without moving the speakers further from the wall, fit the foam plugs or, for less severe bass reduction, the foam rings in the port tubes (above).

If the bass seems uneven with frequency this will most probably be due to resonance modes in the listening room. Even small changes in the position of the speakers or the listening position can have a profound effect on how these resonances affect the sound. Try moving the listening position or locating the speakers along a different wall. The presence and position of large pieces of furniture can also influence resonance modes.

If no alternatives exist, you can adjust your loudspeakers' low-frequency performance using the supplied foam plugs. The plugs are a two-piece part, allowing for a degree of fine-tuning using either the outer, larger-diameter piece in isolation or the two parts together. Using solely the outer, larger-diameter foam piece will deliver less bass attenuation than the complete plug assembly.

If the central image lacks focus, try moving the speakers closer together or angle them inward so that they point at a location just in front of the listening position. If the sound is too bright, increasing the amount of soft furnishing in the room (heavier curtains for example) may help balance the sound. Conversely, reducing the amount of soft furnishing may help brighten a dull sound.

For the most discerning listening, remove the grilles by gripping around their edges and gently pulling them away from the cabinet.

## 5. Running In

The performance of the speaker will change subtly during the initial listening period. If the speaker has been stored in a cold environment, the damping compounds and suspension materials of the drive units will take some time to recover their correct mechanical properties. The drive unit suspensions will also loosen up during the first hours of use. The time taken for the speaker to achieve its intended performance will vary depending on previous storage conditions and how it is used. As a guide, allow up to a week for the temperature effects to stabilise and 15 hours of average use for the mechanical parts to attain their intended design characteristics.

## 6. Aftercare

The cabinet surfaces will usually only require dusting. We recommend you use a soft microfibre cloth. If you wish to use an aerosol or other cleaner, apply the cleaner onto the cloth, not directly onto the product, and test a small area first, as some cleaning products may damage some of the surfaces. Avoid products that are abrasive, or contain acid, alkali or anti-bacterial agents. Do not use cleaning agents on the drive units. Avoid touching the drive units as damage may result.

Whenever Bowers & Wilkins speakers are finished in real wood, the finest veneers are selected and treated with an ultra-violet resistant lacquer to minimise changes in colour over time. Nevertheless, like all natural materials, the veneer will respond to its environment and a degree of colour change is to be expected. Colour differences may be rectified by exposing all the veneer surfaces equally and evenly to sunlight until the colour is uniform. This process can take several days or even weeks, but may be accelerated by careful use of an ultra-violet lamp. Wood veneered surfaces should also be kept away from direct sources of heat such as radiators and warm air vents in order to minimise the possibility of the wood veneer cracking.

The tweeter housing has a textured finish that may collect superficial marks when handled. It can be cleaned by wiping a soft microfibre cloth around the housing, in line with the surface texture.

# Bowers & Wilkins

B&W Group Ltd  
Dale Road  
Worthing West Sussex  
BN11 2BH England

EU Importer:  
Bowers & Wilkins  
Beemdstraat 11  
5653 MA Eindhoven  
The Netherlands

Copyright © B&W Group Ltd. E&OE

